

# EXCEL PREMIUM SCREEN EXCITERS

ML80™ | LM916/911™

FOR  
METSO® | NORDBERG®  
SCREENS



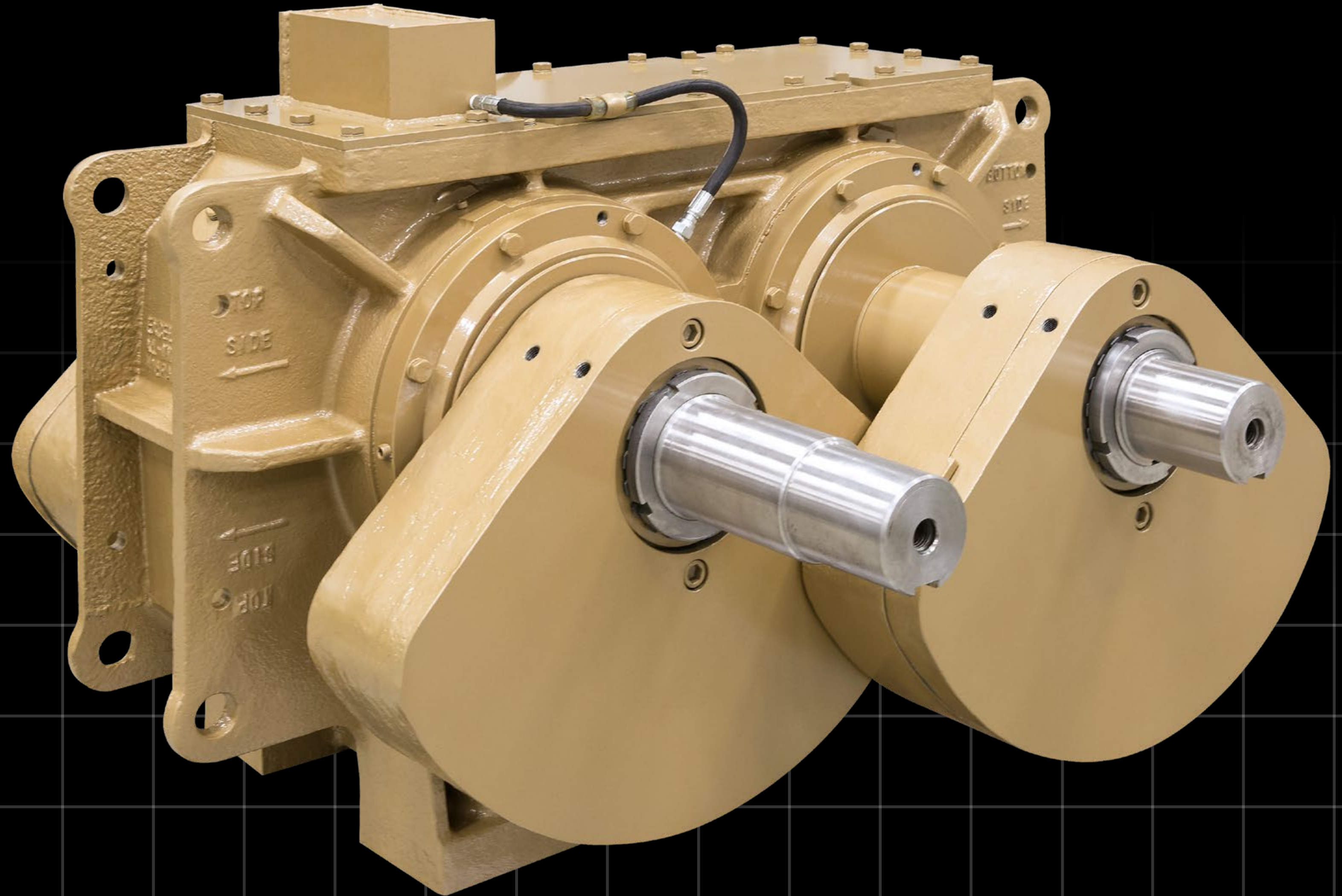


# EXCEL SCREEN EXCITERS

EXCEL ML80™

## Excel ML80™ Exciters for:

- Banana MF™ Screen
- Horizontal LH™ Screen
- Horizontal LH™ Dewatering Screen
- LH.G™ Feeders and Grizzly's
  - LH™ Vibrating Feeder
  - LH™ Pan Feeder
  - LH™ Grizzly Scalper



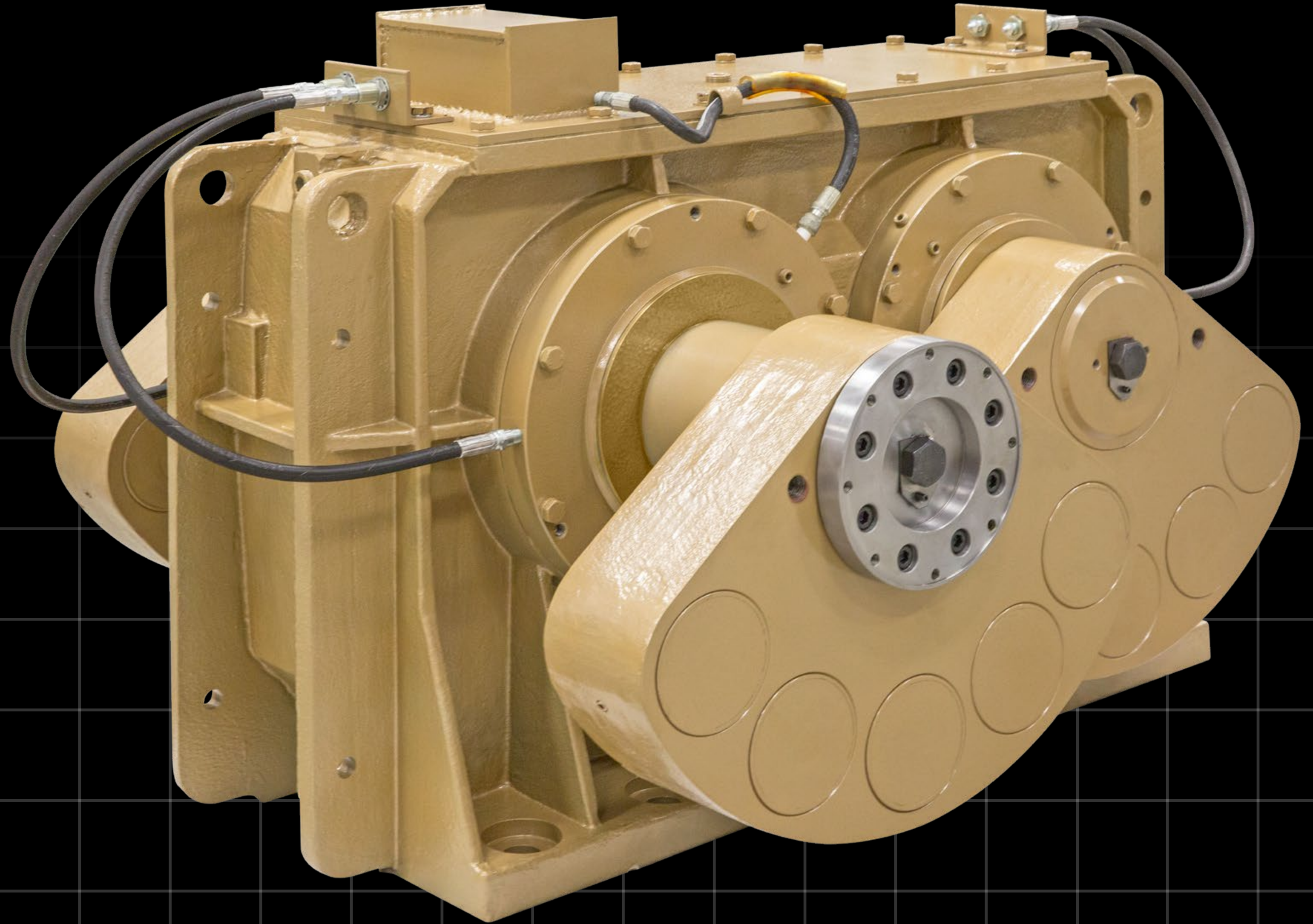


# EXCEL SCREEN EXCITERS

EXCEL LM916™ | LM911™

**Excel LM916™ | LM911™**  
**Exciters for:**

- Older Nordberg® screens
- Using LM (linear motion) exciters





# EXCEL SCREEN EXCITERS

## SECONDARY OIL RESERVOIR

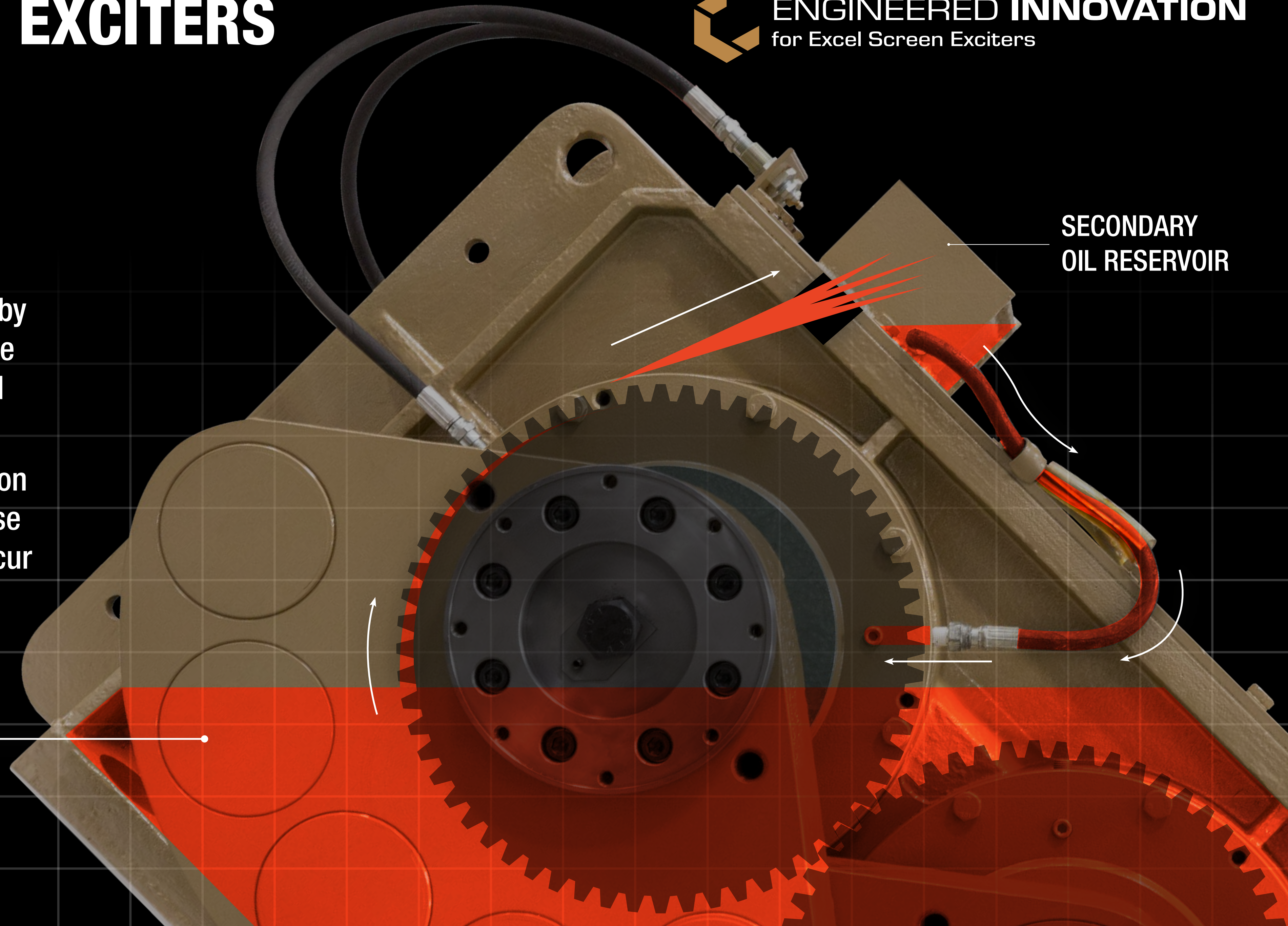


ENGINEERED INNOVATION  
for Excel Screen Exciters

- Addition of the secondary oil reservoir helps avoid premature bearing failure by improving lubrication to the up slope, splash lubricated set of bearings
- Improved oil level inspection porting that eliminates false level readings that can occur on conventional exciters

OIL

SECONDARY  
OIL RESERVOIR





# EXCEL SCREEN EXCITERS

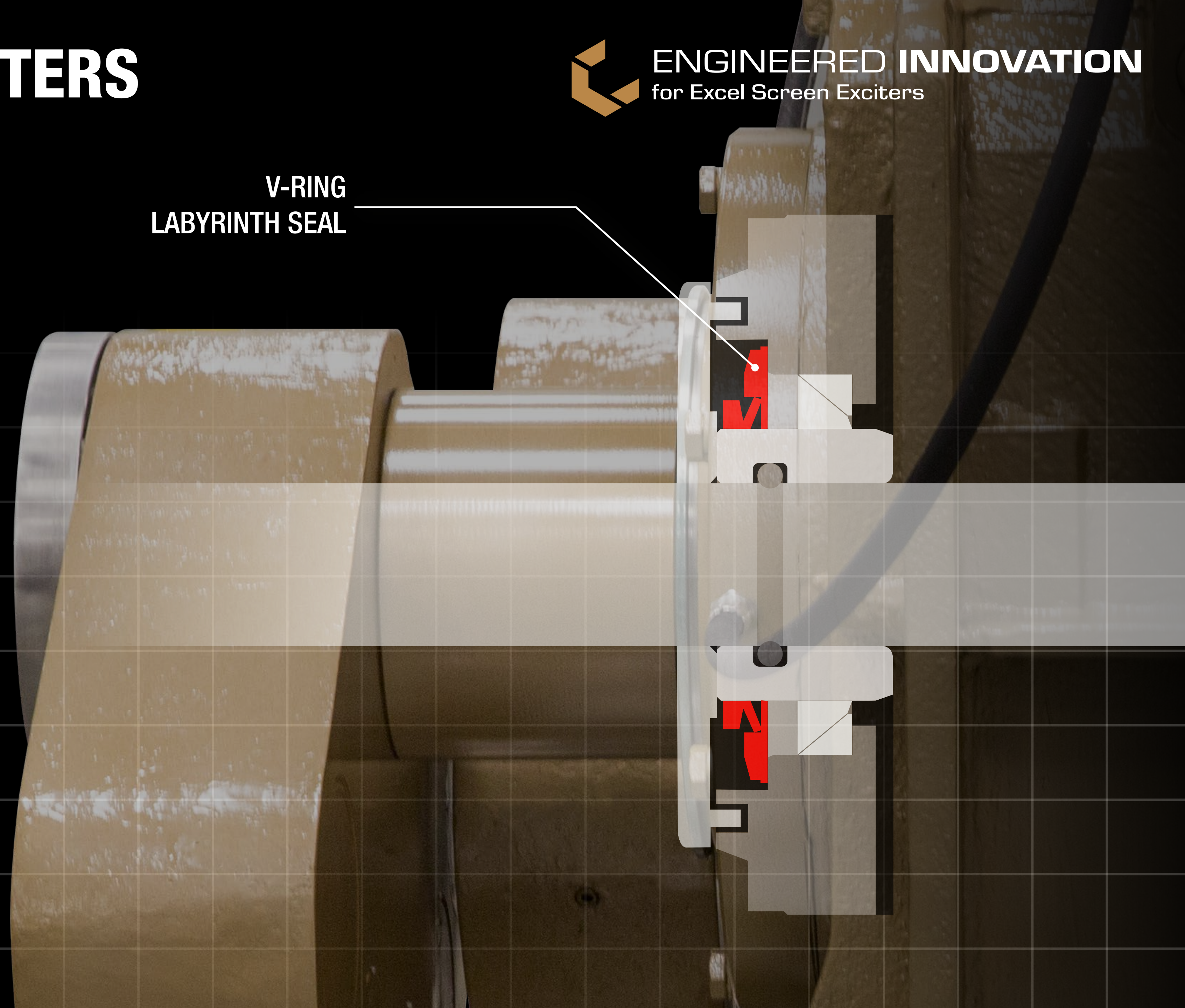
## V-RING LABYRINTH SEALS



**ENGINEERED INNOVATION**  
for Excel Screen Exciters

V-RING  
LABYRINTH SEAL

- V-ring labyrinth seals keep abrasive dust particles out of the gear box housing and thus the oil stays cleaner and at the same time protects the seals and spacers from wear
- Seal sleeve is less complex than traditional Metso®/Nordberg® units



GRAPHIC: V-ring labyrinth seals (side view)



# EXCEL SCREEN EXCITERS

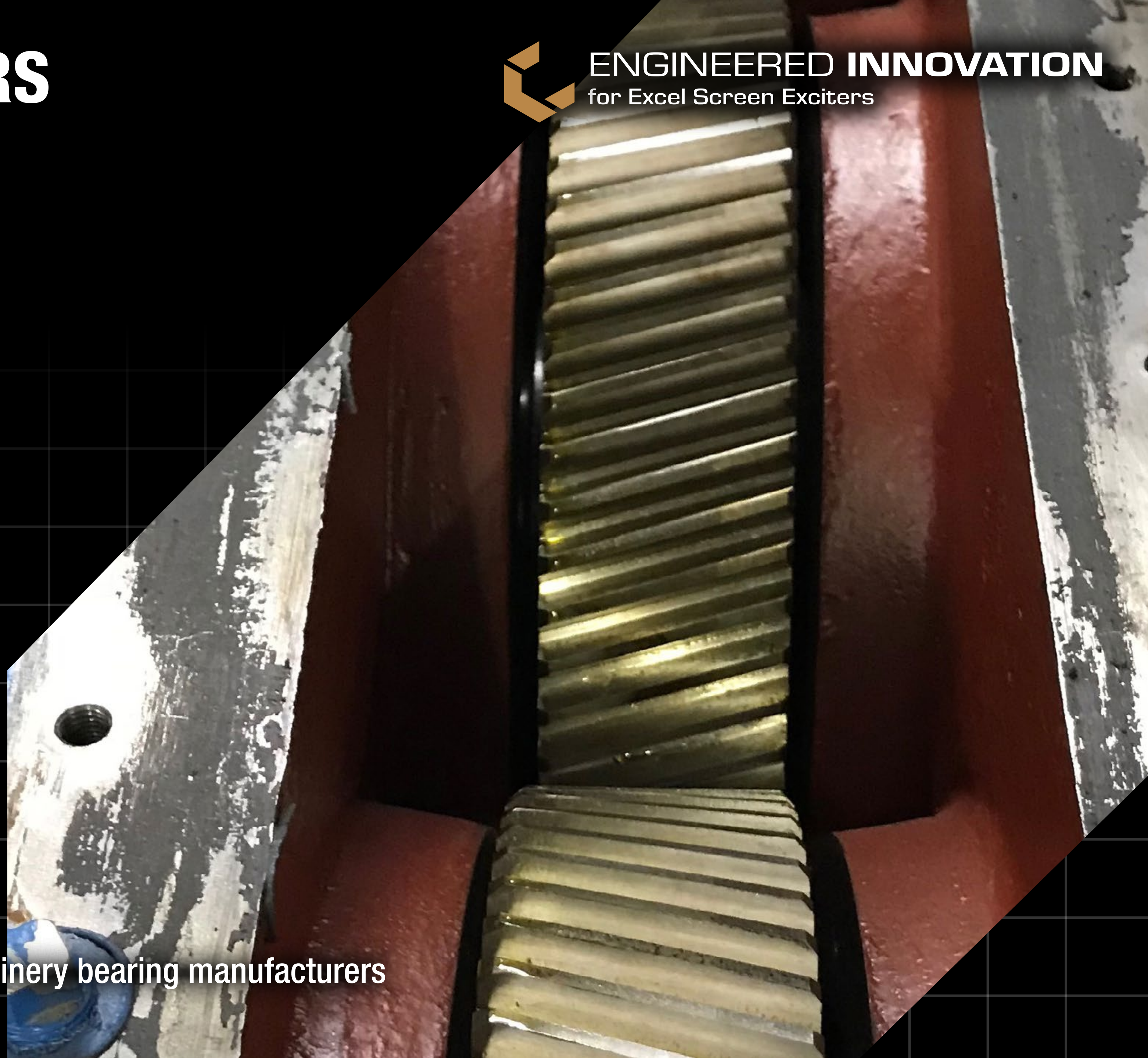
## REPLACEMENT COMPONENTS

- Excel replacement components are interchangeable with OEM products
- They can be used to complete a rebuild of a Metso®/Nordberg® exciter unit and allow for the conversion to the Excel design



**ENGINEERED INNOVATION**  
for Excel Screen Exciters

Bearings supplied by only top-tier industrial machinery bearing manufacturers







**ENGINEERED INNOVATION**  
for Excel Screen Exciters

As a natural extension of Excel's product offering of premium replacement components to the mining and aggregate industries, we offer replacement exciters for a variety of Metso® and Nordberg® screen units. Excel has replacement units and parts for the newer style ML80™ exciter and the older style LM916/911™ exciters commonly used on Metso and Nordberg screens, vibrating feeders, and grizzly scalpers/feeders.



# ML80™ SCREEN EXCITERS

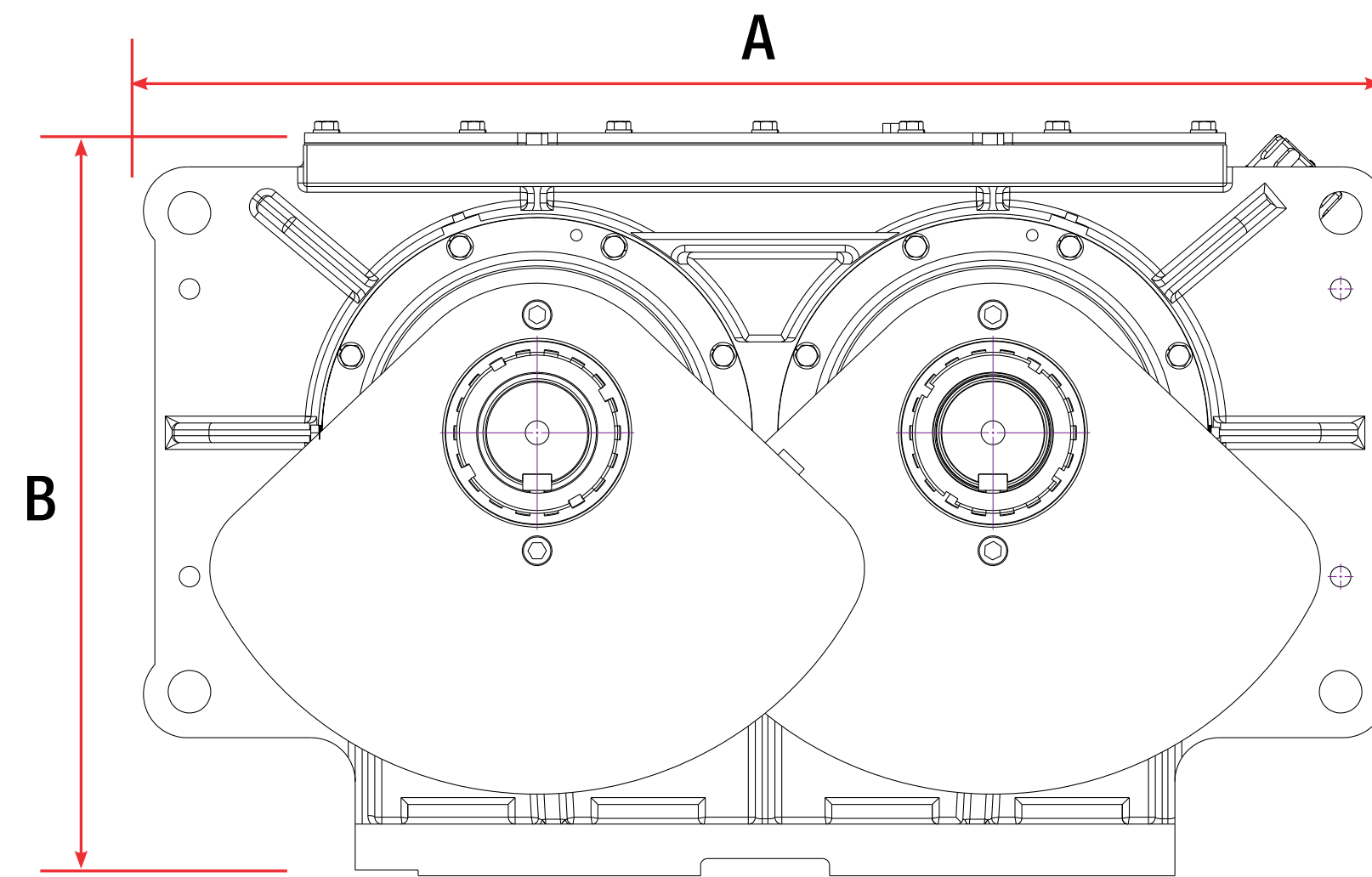
## PRODUCT FOOTPRINT



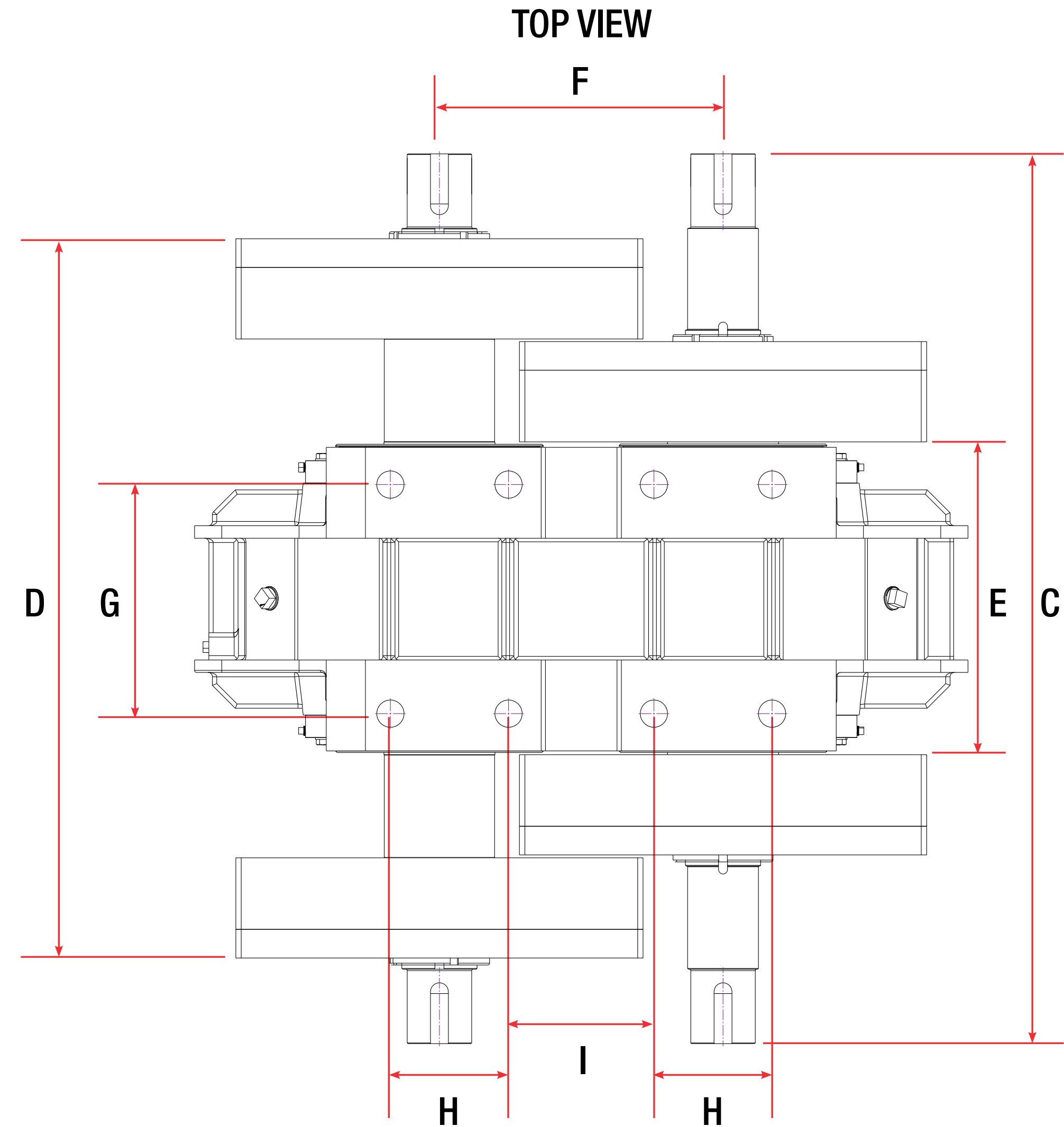
**ENGINEERED INNOVATION**  
for Excel Screen Exciters

|   |        |                 |     |
|---|--------|-----------------|-----|
| A | 1080   | F               | 396 |
| B | 645.6  | G               | 320 |
| C | 1243   | H               | 165 |
| D | 1004.7 | I               | 203 |
| E | 424    | BOLT PATTERN 8X |     |

\* Measurements given in mm



FRONT VIEW



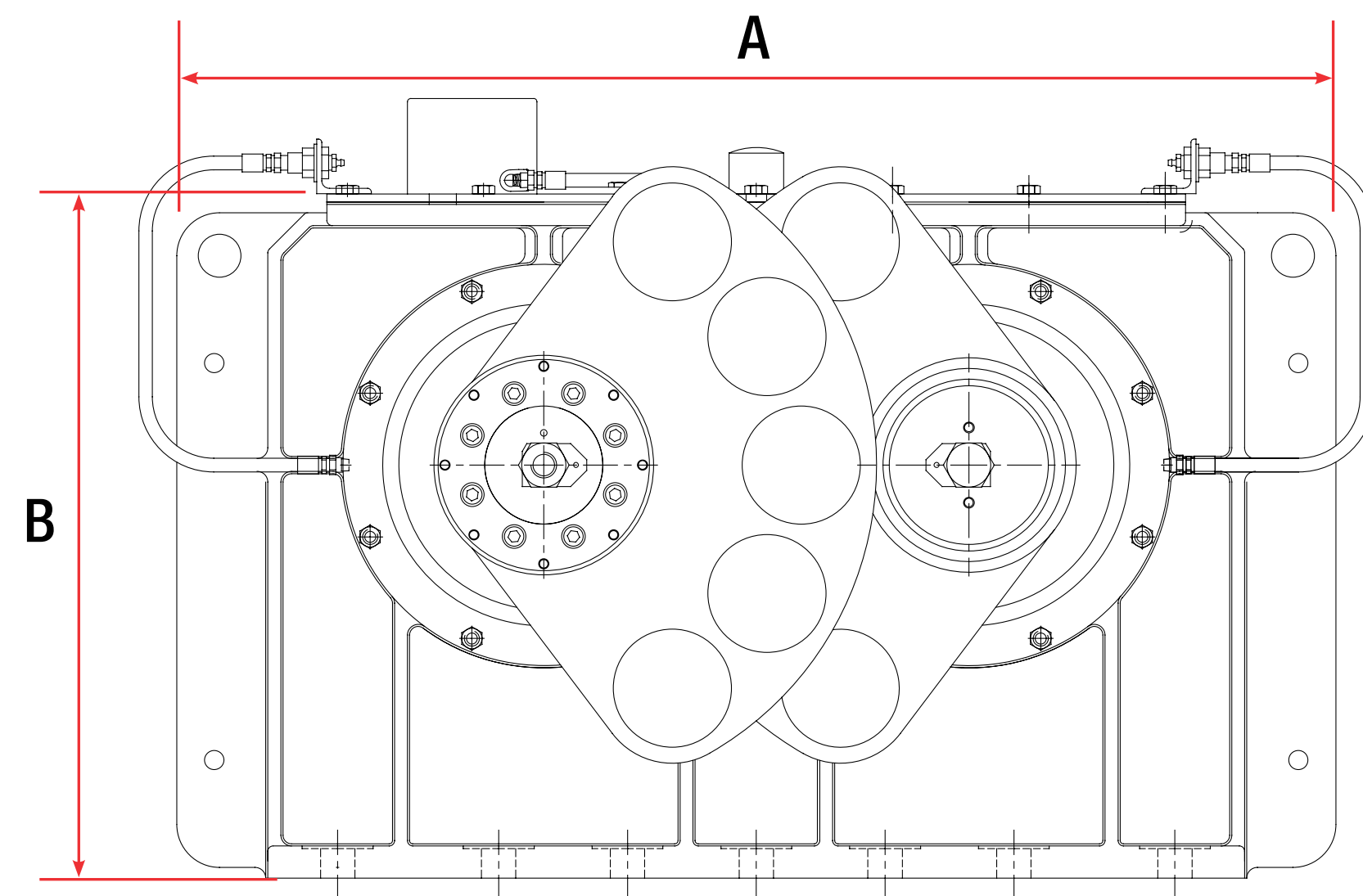


# LM916/911™ SCREEN EXCITERS

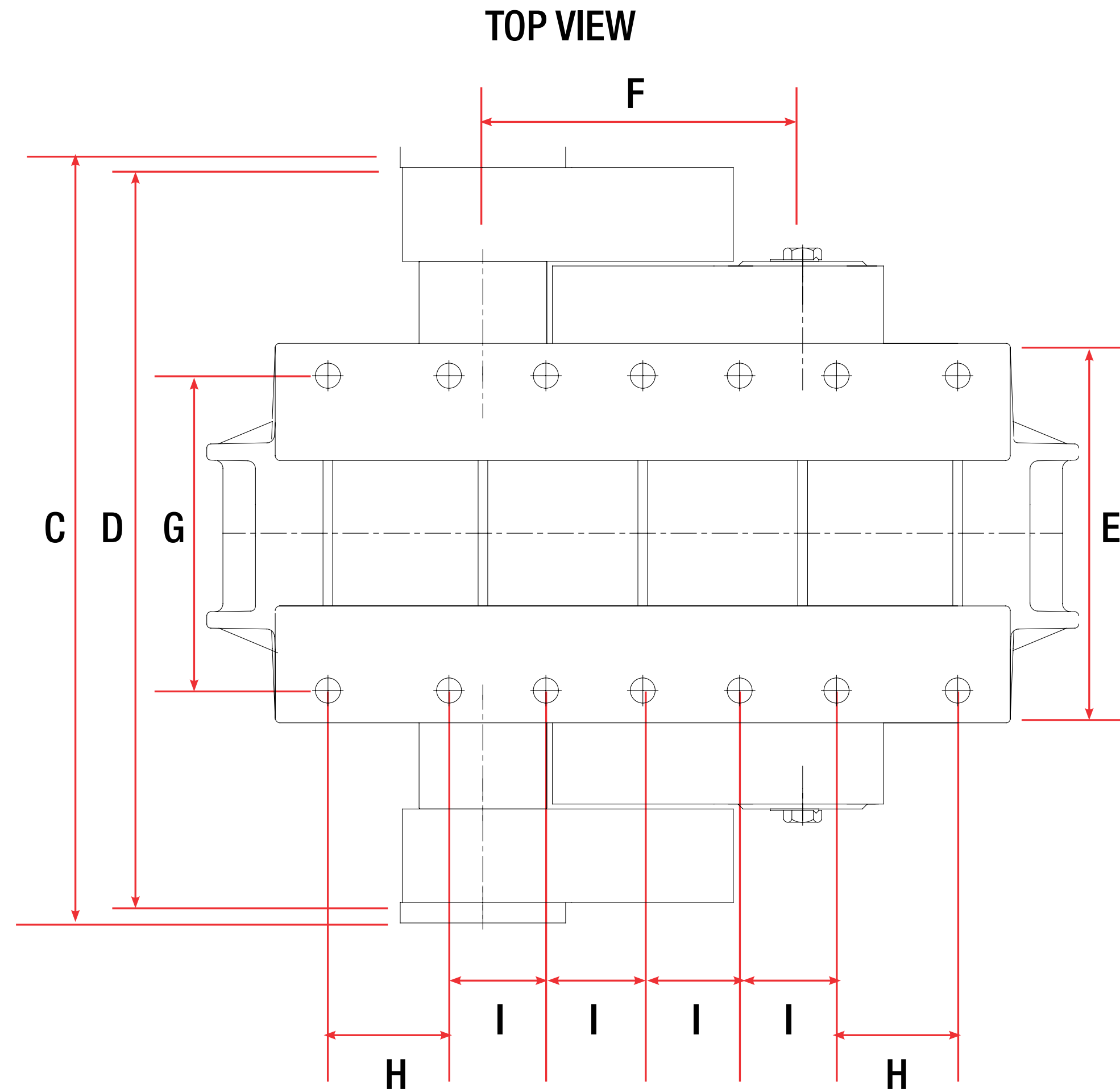
## PRODUCT FOOTPRINT

|   |       |                  |     |
|---|-------|------------------|-----|
| A | 1080  | F                | 396 |
| B | 620   | G                | 390 |
| C | 961.2 | H                | 150 |
| D | 910.6 | I                | 120 |
| E | 470   | BOLT PATTERN 14X |     |

\* Measurements given in mm



FRONT VIEW



TOP VIEW





# Working Together. Optimizing Performance.

**+1.309.347.6155**

**Toll Free 800.523.9129**

**sales@ExcelFoundry.com**

**1 Excel Way | Pekin, Illinois | USA**

**ExcelFoundry.com**

All brand names, model names or marks are owned by their respective manufacturers. Excel Foundry & Machine has no affiliation with the original equipment manufacturer. These terms are used for identification purposes only and are not intended to indicate affiliation with or approval by the OEM. All parts are manufactured by, for and warranted by Excel Foundry & Machine and are not manufactured by, purchased from or warranted by the original equipment manufacturer.

©2018 FLSmith A/S. All rights reserved. REV1