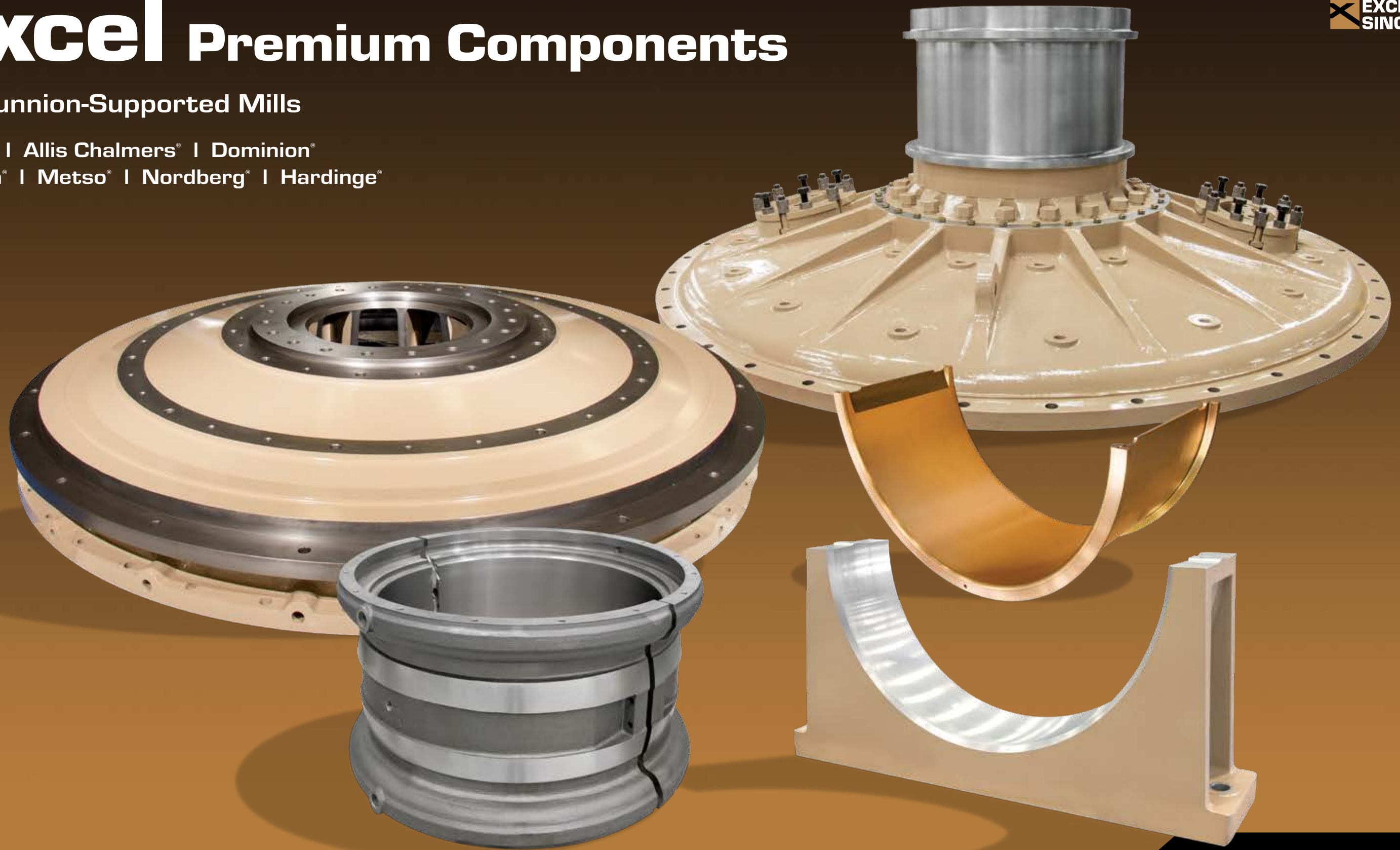


# Excel Premium Components

for Trunnion-Supported Mills

Marcy® | Allis Chalmers® | Dominion®  
Svedala® | Metso® | Nordberg® | Hardinge®

EXCELLENCE  
SINCE 1929



EXCEL  
FOUNDRY  
& MACHINE

# Excel Premium Components

for Trunnion-Supported Mills

Marcy® | Allis Chalmers® | Dominion®

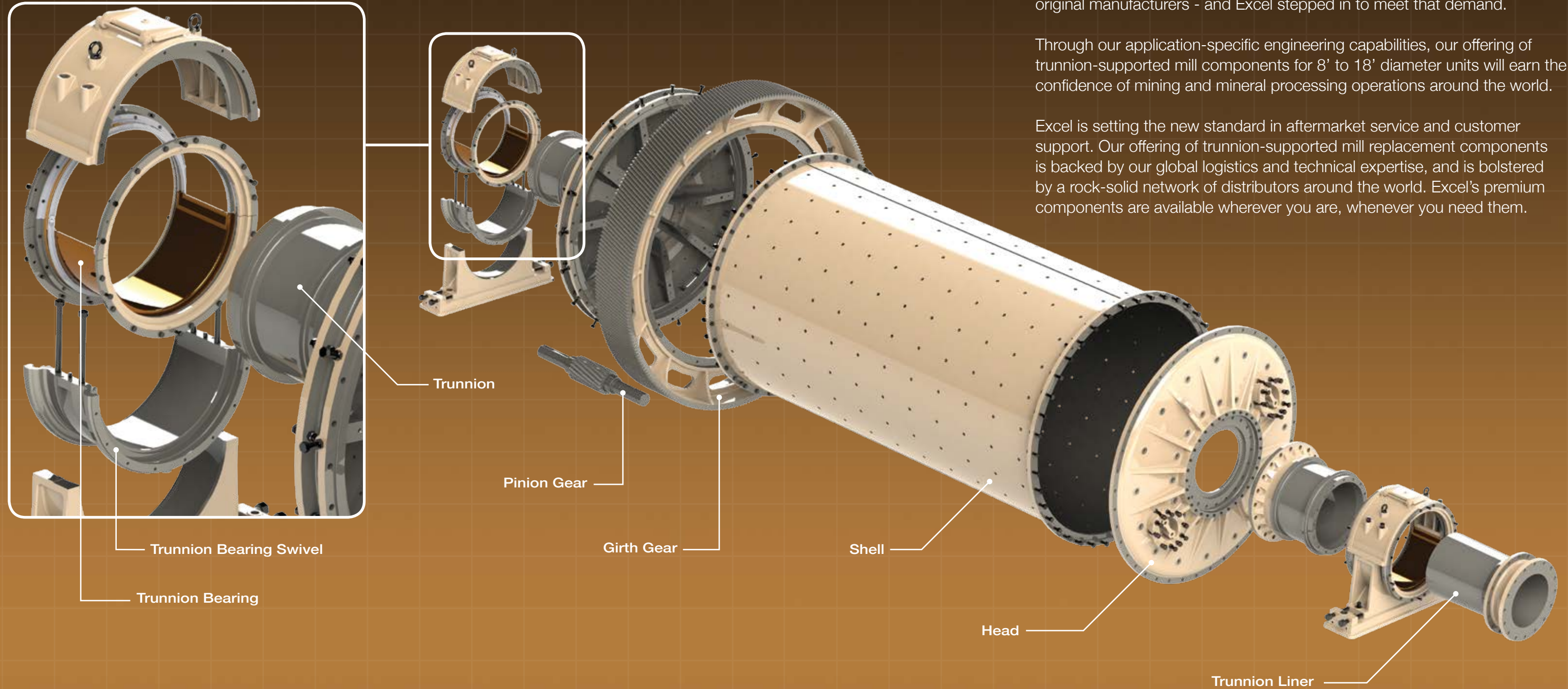
Svedala® | Metso® | Nordberg® | Hardinge®

## Applying Decades of Experience in Critical Wear Components to Trunnion-Supported Mills

The mining and mineral processing markets wanted an alternative to the high price of and long lead times for mill replacement components from the original manufacturers - and Excel stepped in to meet that demand.

Through our application-specific engineering capabilities, our offering of trunnion-supported mill components for 8' to 18' diameter units will earn the confidence of mining and mineral processing operations around the world.

Excel is setting the new standard in aftermarket service and customer support. Our offering of trunnion-supported mill replacement components is backed by our global logistics and technical expertise, and is bolstered by a rock-solid network of distributors around the world. Excel's premium components are available wherever you are, whenever you need them.

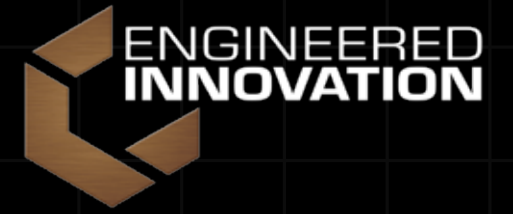


# Excel Premium Components

for Trunnion-Supported Mills

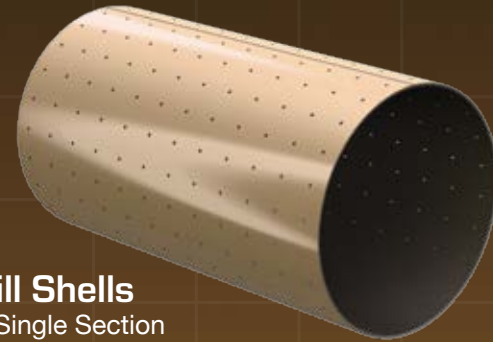
Marcy® | Allis Chalmers® | Dominion®

Svedala® | Metso® | Nordberg® | Hardinge®



## Mill Heads

- Ductile Iron
- Feed End
- Discharge End
- With or Without Integral Trunnions



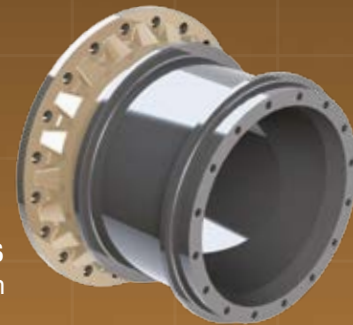
## Mill Shells

- Single Section
- Multiple Section



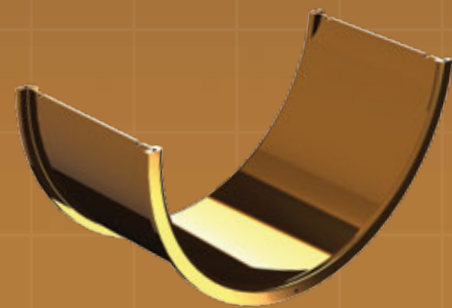
## Trunnion Liners

- Discharge Liners
- Discharge Cones
- Feed Liners
- Feeder Drums



## Trunnions

- Ductile Iron
- Feed End
- Discharge End



## Trunnion Bearings

- Bronze Inserts
- Swivel Blocks

*Premium replacement components from Excel are designed to bring immediate value to your application by minimizing the cost and downtime associated with regular maintenance*

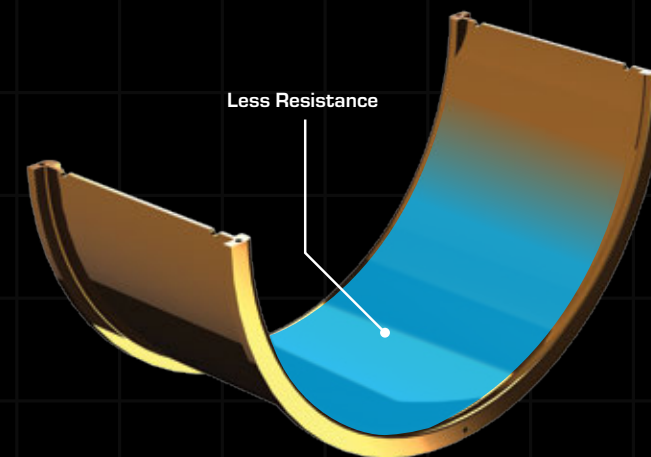
## Application-Specific Engineering

Excel's Engineering and Technical Experts work directly with customers to solve problems in innovative ways. We partner with operations around the world to develop customized solutions for lasting performance in your mission-critical equipment.

Excel designed a Two-Piece Head and Trunnion Assembly for Trunnion-Supported Mills. This design saves time and reduces costs by allowing the replacement of either component independently. The two-piece design allows for better, more accurate casting than the traditional one-piece head and trunnion.

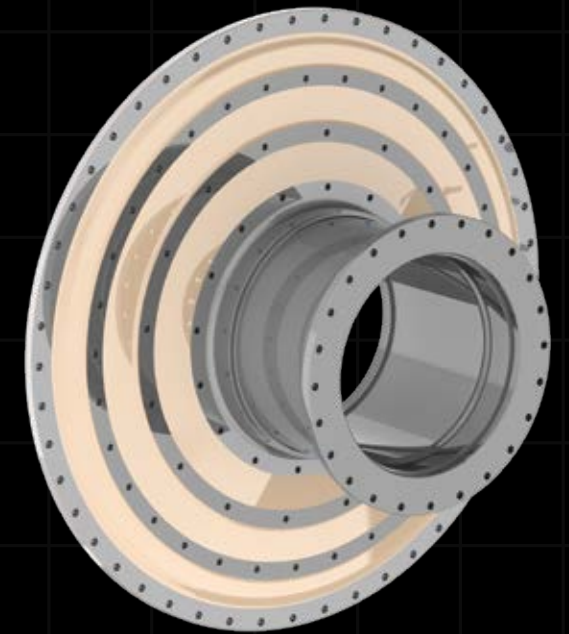
Excel is also a world leader in the production of high-quality bronze components. Our bearing designs for older mill units allows for proper dispersion of the lubrication. Misshapen swivels can cause the bushing to be closed in. This simple design change alleviates "pinching" of the trunnion and extends the life of these integral components

## What can Excel do to help you?

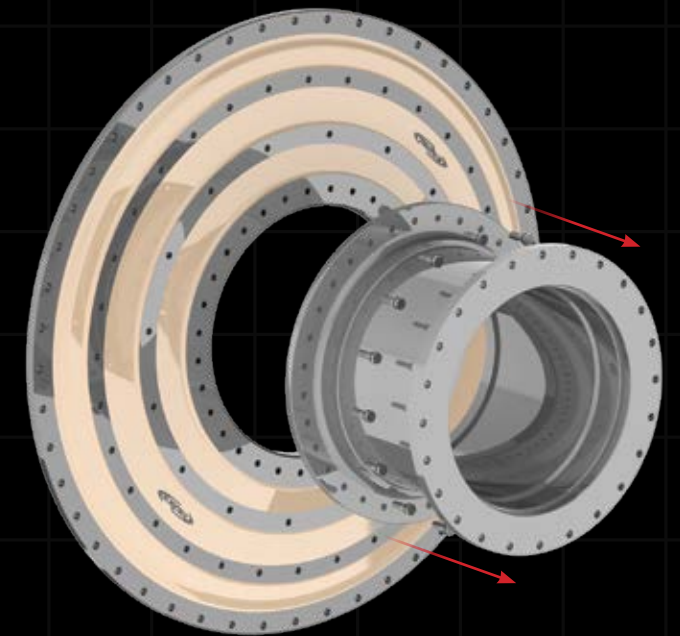


Modified Bearing Design

## Two Piece Head & Trunnion Design



Standard 1-Piece Design



Excel 2-Piece Design

# Dedicated to Outstanding Customer Support

+1.309.347.6155  
Toll Free 800.523.9129  
sales@ExcelFoundry.com

1 Excel Way | Pekin, Illinois | USA  
**ExcelFoundry.com**



For emergency after-hours support, call 309.202.8300 to speak to an Excel Professional at any time.



All brand names, model names or marks are owned by their respective manufacturers. Excel Foundry & Machine has no affiliation with the original equipment manufacturer. These terms are used for identification purposes only and are not intended to indicate affiliation with or approval by the OEM. All parts are manufactured by, for and warranted by Excel Foundry & Machine and are not manufactured by, purchased from or warranted by the original equipment manufacturer.

©Copyright 2016 FLSmidth A/S. All Rights Reserved.